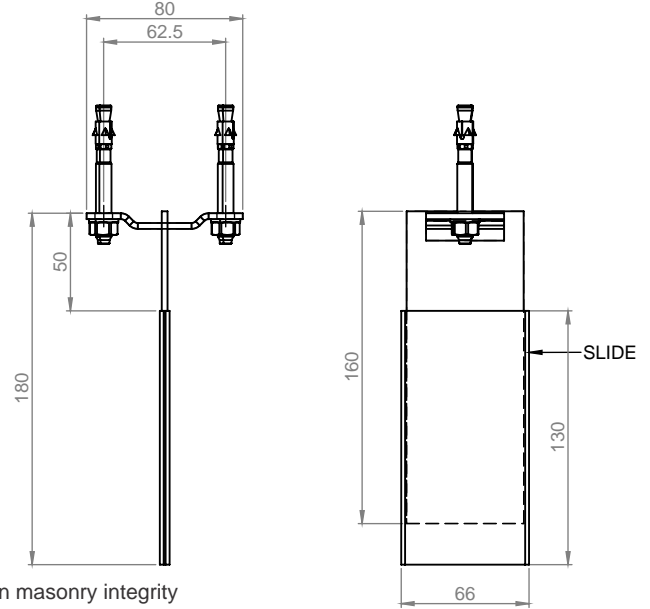


High Strength Control Gap Tie



DESCRIPTION

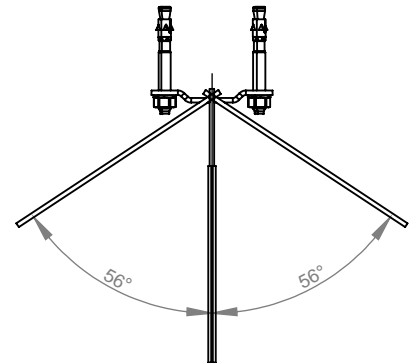
Vertical & horizontal control gap tie for brick and block work. This tie will retain masonry integrity against lateral wind loads, de bonding slide will absorb differential movement.

FEATURES

- Block work / clay brick
- Can be mounted at an angle to match irregular substrate surfaces
- Increased bond strength
- High strength control gap tie
- Tested to a control gap of 50mm (max gap 50mm)
- Universal applications / in prep and in core
- Tested for in-core cast in hollow blocks
- Australian design & tested AS/NZS 2699.2:2020

CORROSION CHARACTERISTICS

Hot dipped galvanising (R3)
 Stainless steel 316L (R4)
 Conforms to corrosion resistance set by AS/NZS 2699.2:2020 / AS 3700



ORDERING INFORMATION

When ordering please supply use with the part number and quantity you require

SLIDE-SD03-R4

PRODUCT CODE

MATERIAL

Specify
R3 for Hot dipped galvanised
R4 for Stainless steel 316L

